

# Landscape and Building



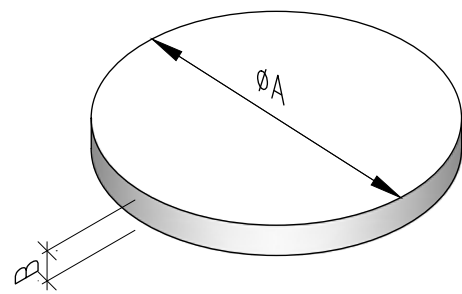
## Contents

Pavers .....	2
Sleepers .....	6
Tree Rings .....	7
Garden Edging .....	8
Sundries.....	10

# Pavers

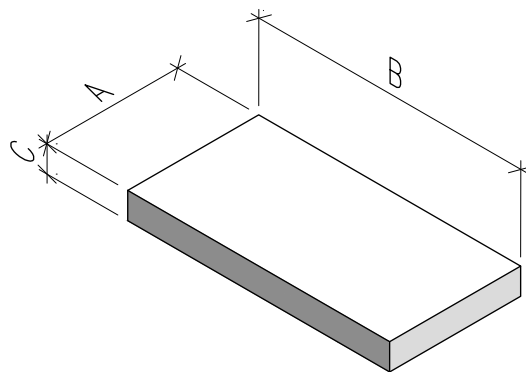
## CIRCULAR

CODE	NAME	DIAMETER (A)	HEIGHT (B)
PCLA1010	PAVER 300X50 CIRCULAR	300	50
PCLA1020	PAVER 350X50 CIRCULAR	350	50
PCLA1030	PAVER 400X50 CIRCULAR	400	50
PCLA1040	PAVER 500X50 CIRCULAR	500	50
PCLA1050	PAVER 600X50 CIRCULAR	600	50
PCLA1060	PAVER 700X50 CIRCULAR	700	50



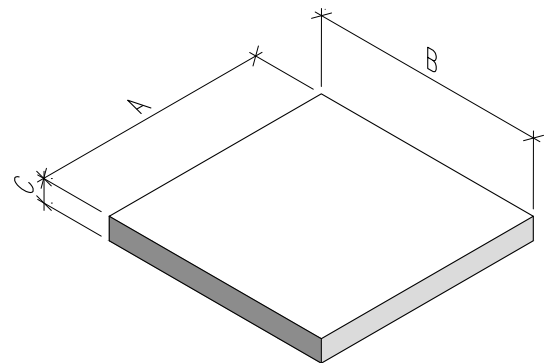
**RECTANGLE**

CODE	NAME	WIDTH (A)	LENGTH (B)	HEIGHT (C)
PCLA1140	PAVER 900X600X100 RECTANGLE	600	900	100
PCLA1150	PAVER 1200X450X100 RECTANGLE	450	1200	100
PCLA1160	PAVER 1200X600X100 RECTANGLE	600	1200	100
PCLA1170	PAVER 1200X900X100 RECTANGLE	900	1200	100
PCLA1190	PAVER 600X300X50 RECTANGLE	300	600	50
PCLA1250	PAVER 900X150X50 RECTANGLE	150	900	50
PCLA1270	PAVER 900X400X50 RECTANGLE	400	900	50
PCLA1290	PAVER 900X500X50 RECTANGLE	500	900	50
PCLA1310	PAVER 900X600X60 RECTANGLE	600	900	60
PCLA1320	PAVER 900X600X75 RECTANGLE	600	900	75



**SQUARE**

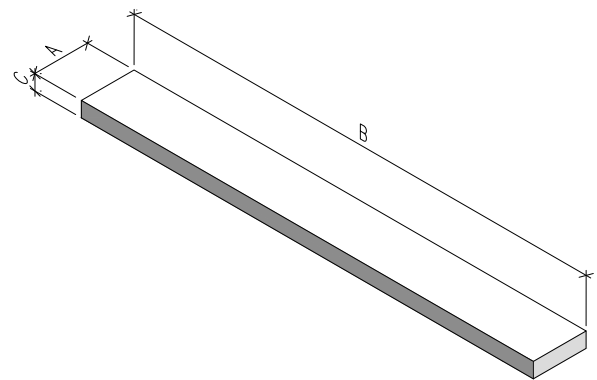
CODE	NAME	WIDTH (A)	LENGTH (B)	HEIGHT (C)
PCLA1340	PAVER 400X400X100 SQUARE	400	400	100
PCLA1350	PAVER 600X600X100 SQUARE	600	600	100
PCLA1360	PAVER 750X750X100 SQUARE	750	750	100
PCLA1370	PAVER 900X900X100 SQUARE	900	900	100
PCLA1380	PAVER 300X300X50 SQUARE	300	300	50
PCLA1410	PAVER 450X450X50 SQUARE	450	450	50
PCLA1460	PAVER 600X600X50 SQUARE	600	600	50
PCLA1540	PAVER 750X750X75 SQUARE	750	750	75
PCLA1570	PAVER 900X900X75 SQUARE	900	900	75





## Sleepers

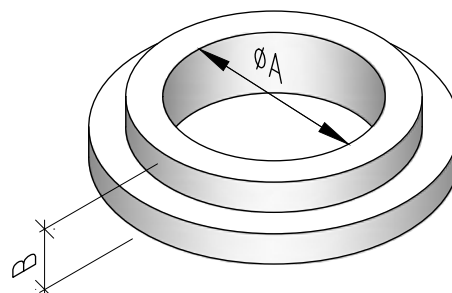
CODE	NAME	WIDTH (A)	LENGTH (B)	HEIGHT (C)
PCLA2050	PLINTH/SLEEPER WOODGRAIN 2000X200X75	75	1800	200
PCLA2060	PLINTH/SLEEPER PLAIN 1800X200X75	75	1800	200
PCLA2063	PLINTH/SLEEPER PLAIN 2400X200X75	75	2400	200



# Tree Rings

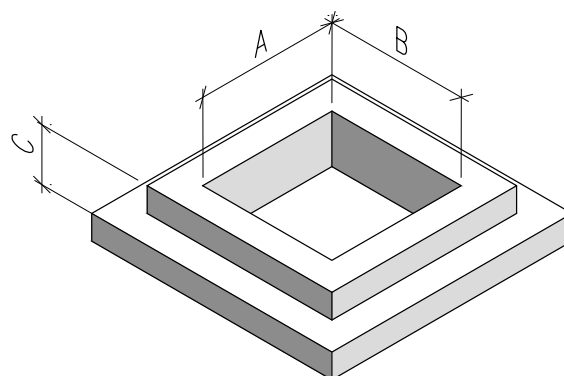
## ROUND

CODE	NAME	INTERNAL DIAMETER (A)	HEIGHT (B)
PCLA0030	BULLNOSE ROUND 300MM	300	100
PCLA0040	BULLNOSE ROUND 450MM	450	100



## SQUARE

CODE	NAME	INTERNAL WIDTH (A)	INTERNAL LENGTH (B)	HEIGHT (C)
PCLA0060	BULLNOSE SQUARE 450MM	600	600	120

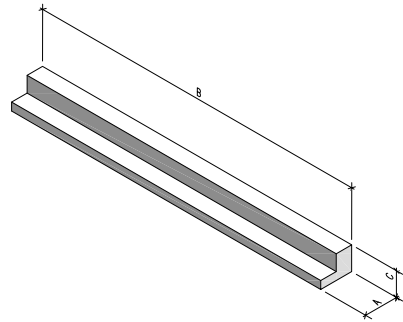


## Garden Edging

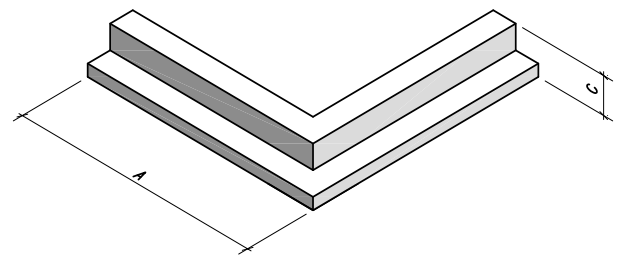
CODE	NAME	WIDTH (A)	LENGTH (B)	HEIGHT (C)
PCLA0010	STRAIGHT L SHAPE	160	1200	120
PCLA0012	OUTSIDE 90 DEGREE L SHAPE	160	590	120
PCLA0013	INSIDE 90 DEGREE L SHAPE	160	590	120
PCLA0014	2 X 45 DEGREE L SHAPE	160	620	120
PCLA0020	STRAIGHT A SHAPE	90	1500	110



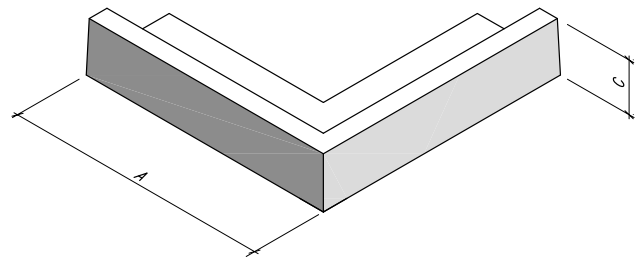
Straight L Shape



Outside 90 Degree L Shape



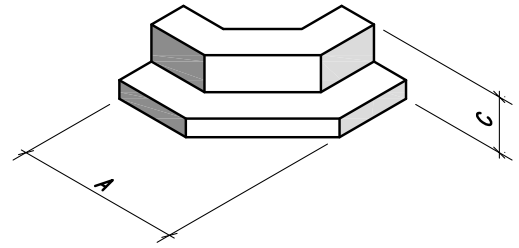
Inside 90 Degree L Shape



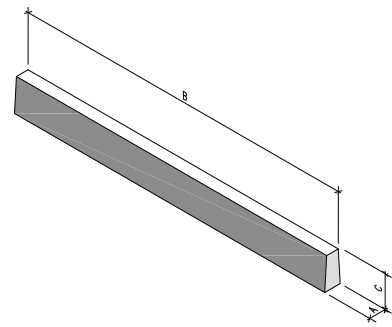




2 X 45 Degree L Shape



Straight A Shape



# Sundries

## CARPARK STOPS

CODE	DESCRIPTION	LENGTH	WIDTH	HEIGHT
PCCP0010	CAR PARK STOPS PIN GALV			
PCCP0020	CAR PARK STOPS 900 SEMI MOUNTABLE KERB	230	900	160
PCCP0030	CAR PARK STOPS 1800 SEMI MOUNTABLE KERB	230	1800	160
PCCP0040	CAR PARK STOPS 1800 SEMI MOUNTABLE KERB DOUBLE SIDED	340	1800	130
PCCP0080	BARRIER 1500X160X150 2 X LIFTING PINS	160	1500	150
PCCP0090	BARRIER 1500X160X200 2 X SPIKE/PIN DOWN	160	1500	150
PCCP0100	CAR PARK STOPS 1650X180X95 BARRIER 2 X LIFTING PINS 2 X SPIKE/PIN DOWN	160	1650	95



Barrier



Barrier



Semi-mountable kerb



PRECAST **ASQ** CONCRETE

PRECAST **ASQ** CONCRETE

PRECAST **ASQ** CONCRETE

[www.asq.net.au](http://www.asq.net.au)  
a 280-310 McIvor Highway, Junortoun  
p 03 5449 9100 | e [precastsales@asq.net.au](mailto:precastsales@asq.net.au)